



Condensing unit  
Voltage Code : TZ

# TAGT4561ZHR-TZ

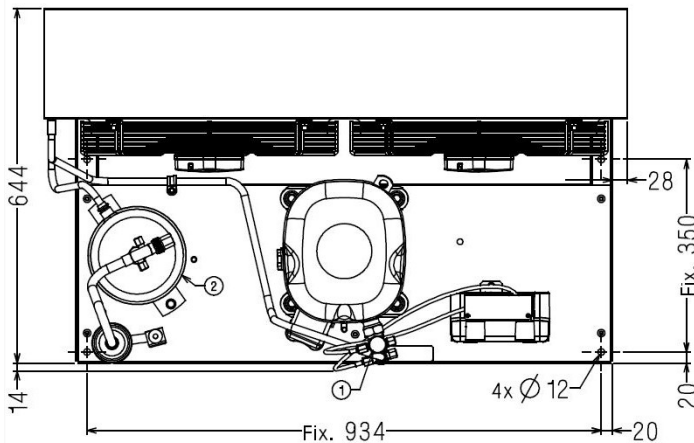
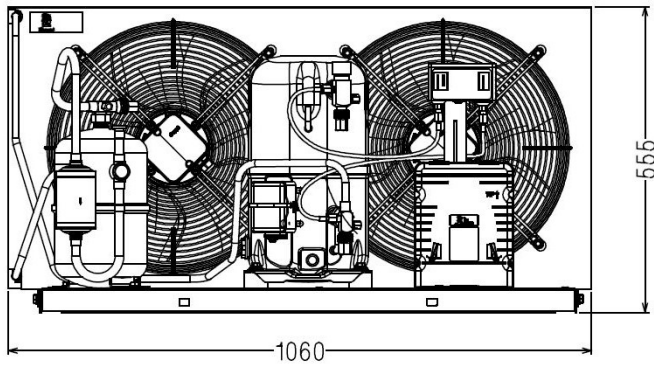
High Temp. Commercial (HP)

400V 3~ 50Hz / 440V 3~ 60 Hz

R452A / R404A / R448A / R449A

TAGT4561ZHR-TZ

Conditions	Frequency	Nominal Cooling Capacity		Sound Power ISO3745 / ISO 3743-1
		Watts	BTU/h	
EN13215 / R452A	50 Hz / 60 Hz	7988 / 9368	27238 / 31944	86 dBA
EN13215 / R404A	50 Hz / 60 Hz	8221 / 9629	28033 / 32833	86 dBA
EN13215 / R448A	50 Hz	7104	24224	86 dBA
EN13215 / R449A	50 Hz	7108	24237	86 dBA



\* EN13215 : T°Ambient 32.0°C / T°Evap. -10.0°C / T°Return gas temp.. 20.0°C  
T°Subcooling. 3.0K

<b>Net Weight (Kg)</b>	101.0
<b>Expansion device</b>	Expansion_Valve
<b>Air Flow (m³/h)</b>	7000 / 7900
<b>Compo Data Sheet</b>	227GU-T
<b>Elec Comp Type</b>	TRI
<b>Current (Amp)</b>	
Load Rated Amp	11.8   12.6
Max Cont Current	17.6   17.7
Lock Rotor Amp	56   58
<b>Fan</b>	
Speed (rpm)	1360 / 1520
Power (W)	280.0
Diameter (mm)	420
Protection	Overload
IP Level	IP54
<b>Condenser</b>	B420P/36000
<b>Liquid Receiver</b>	
Capacity (L)	6.0
Maximum Pressure (Bars)	32.0
<b>Suction Line</b>	
Suction Type	Vanne Orientable
For Tubing Out Diam	28.6 (1"1/8)
Suction Connection Type	Brased
<b>Liquid Line</b>	
Liquid Line Type	Vanne Orientable
For Tubing Out Diam	15.9 (5/8")
Liquid Connecton Type	Brased
<b>Connection Type</b>	VR
<b>Fan Guard</b>	maille < à 8mm

Note : Tecumseh reserves the right to change information contained in this document without notification.



**Tecumseh**

<b>TAGT4561ZHR-TZ</b>	<b>Tension TZ : 400V 3~ 50Hz / 440V 3~ 60 Hz</b>
-----------------------	--

Les performances sont données dans les <b>conditions EN13215</b> :	Gaz aspirés :	20.0 °C
Condition Dew	Sous refroidissement :	3.0 K
The performance data are in <b>EN13215 conditions</b> :	Return gas :	20.0 °C
Dew Condition	Subcooling :	3.0 K

<b>50 Hz R452A</b>											
											<b>N°6107</b>
5   T ambience	6   T évaporation	(°C)	<b>-25</b>	<b>-20</b>	<b>-15</b>	<b>-10</b>	<b>-5</b>	<b>0</b>	<b>5</b>	<b>10</b>	<b>15</b>
<b>25</b>	1   P frigorifique	(Watt)	4195	5650	7284	9089	11040	13111	15278	17535	19907
	2   P absorbée	(W)	2695	3088	3484	3904	4362	4869	5432	6058	6751
	3   I absorbée	(A)	6.67	7.11	7.60	8.15	8.77	9.47	10.3	11.1	12.1
	4   Tc	(°C)	26.7	27.4	28.7	30.6	32.9	35.5	38.3	41.2	44.2
<b>32</b>	1   P frigorifique	(Watt)		4798	6327	7988	9765	11637	13588	15620	17765
	2   P absorbée	(W)		3102	3543	3995	4478	5002	5580	6217	6918
	3   I absorbée	(A)		7.11	7.64	8.24	8.89	9.63	10.4	11.3	12.3
	4   Tc	(°C)		33.9	35.0	36.6	38.7	41.1	43.7	46.5	49.2
<b>43</b>	1   P frigorifique	(Watt)			4791	6252	7778	9363	11003	12719	14573
	2   P absorbée	(W)			3535	4066	4608	5178	5790	6454	7178
	3   I absorbée	(A)			7.65	8.32	9.04	9.83	10.7	11.6	12.7
	4   Tc	(°C)			44.9	46.2	47.9	50.0	52.3	54.7	57.2

<b>60 Hz R452A</b>											
											<b>N°6107</b>
5   T ambience	6   T évaporation	(°C)	<b>-25</b>	<b>-20</b>	<b>-15</b>	<b>-10</b>	<b>-5</b>	<b>0</b>	<b>5</b>	<b>10</b>	<b>15</b>
<b>25</b>	1   P frigorifique	(Watt)	4908	6621	8592	10747	13017	15347	17690	20022	22343
	2   P absorbée	(W)	3476	4031	4590	5176	5802	6479	7212	8007	8864
	3   I absorbée	(A)	7.89	8.61	9.38	10.2	11.1	12.1	13.1	14.3	15.5
	4   Tc	(°C)	29.9	30.5	31.7	33.5	35.7	38.2	40.9	43.8	46.6
<b>32</b>	1   P frigorifique	(Watt)		5573	7376	9368	11476	13642	15820	17990	20168
	2   P absorbée	(W)		3991	4611	5242	5902	6605	7360	8171	9043
	3   I absorbée	(A)		8.59	9.39	10.3	11.2	12.2	13.2	14.4	15.6
	4   Tc	(°C)		37.2	38.2	39.7	41.7	44.0	46.5	49.2	51.9
<b>43</b>	1   P frigorifique	(Watt)			5457	7159	8983	10871	12786	14729	16766
	2   P absorbée	(W)			4495	5233	5975	6741	7545	8396	9299
	3   I absorbée	(A)			9.33	10.2	11.2	12.3	13.4	14.6	15.8
	4   Tc	(°C)			48.5	49.7	51.3	53.2	55.4	57.8	60.2

**1 = cooling capacity 2 = power input 3 = current 4 = condensing temperature 5 = ambient temperature 6 = evaporating temperature**

**Nota : Tecumseh se réserve le droit de modifier les informations contenues dans ce document sans préavis.**

**Note : Tecumseh reserves the right to change information contained in this document without notification.**

© 2021 Tecumseh Products Company  
All rights reserved



**Tecumseh**

<b>TAGT4561ZHR-TZ</b>	<b>Tension TZ : 400V 3~ 50Hz / 440V 3~ 60 Hz</b>
-----------------------	--

Les performances sont données dans les <b>conditions EN13215</b> :	Gaz aspirés :	20.0 °C
Condition Dew	Sous refroidissement :	3.0 K
The performance data are in <b>EN13215 conditions</b> :	Return gas :	20.0 °C
Dew Condition	Subcooling :	3.0 K

© 2021 Tecumseh Products Company  
All rights reserved

<b>50 Hz R404A</b>											
<b>N°5137</b>											
5   T ambience	6   T évaporation	(°C)	-25	-20	-15	-10	-5	0	5	10	15
<b>25</b>	1   P frigorifique	(Watt)	4675	6050	7623	9373	11274	13287	15371	17481	19578
	2   P absorbée	(W)	2830	3231	3643	4078	4546	5056	5617	6235	6919
	3   I absorbée	(A)	6.93	7.37	7.87	8.43	9.06	9.76	10.5	11.4	12.3
	4   Tc	(°C)	28.6	30.3	32.2	34.3	36.6	39.1	41.9	44.7	47.8
<b>32</b>	1   P frigorifique	(Watt)	3917	5203	6642	8221	9917	11703	13548	15420	17296
	2   P absorbée	(W)	2811	3258	3709	4175	4668	5196	5770	6397	7085
	3   I absorbée	(A)	6.89	7.38	7.92	8.53	9.19	9.93	10.7	11.6	12.6
	4   Tc	(°C)	34.7	36.4	38.2	40.2	42.4	44.8	47.3	50.0	52.8
<b>43</b>	1   P frigorifique	(Watt)		3836	5091	6422	7819	9269	10757	12276	13836
	2   P absorbée	(W)		3189	3722	4257	4807	5381	5989	6640	7344
	3   I absorbée	(A)		7.34	7.95	8.62	9.35	10.1	11.0	11.9	12.9
	4   Tc	(°C)		45.9	47.7	49.6	51.6	53.7	55.9	58.3	60.7

<b>60 Hz R404A</b>											
<b>N°5137</b>											
5   T ambience	6   T évaporation	(°C)	-25	-20	-15	-10	-5	0	5	10	15
<b>25</b>	1   P frigorifique	(Watt)	5469	7099	8988	11070	13275	15531	17767	19917	21923
	2   P absorbée	(W)	3662	4221	4798	5401	6040	6722	7451	8235	9077
	3   I absorbée	(A)	8.17	8.91	9.70	10.6	11.5	12.4	13.5	14.6	15.8
	4   Tc	(°C)	31.8	33.3	35.1	37.1	39.4	41.8	44.4	47.2	50.2
<b>32</b>	1   P frigorifique	(Watt)		6045	7743	9629	11634	13691	15735	17706	19562
	2   P absorbée	(W)		4200	4828	5474	6147	6855	7605	8402	9253
	3   I absorbée	(A)		8.91	9.73	10.6	11.5	12.5	13.6	14.7	15.9
	4   Tc	(°C)		39.6	41.3	43.2	45.3	47.6	50.0	52.6	55.3
<b>43</b>	1   P frigorifique	(Watt)			5812	7346	8998	10710	12429	14118	
	2   P absorbée	(W)			4744	5480	6229	6999	7798	8632	
	3   I absorbée	(A)			9.70	10.6	11.6	12.6	13.7	14.9	
	4   Tc	(°C)			51.1	52.9	54.8	56.8	59.0	61.2	

**1 = cooling capacity 2 = power input 3 = current 4 = condensing temperature 5 = ambient temperature 6 = evaporating temperature**

**Nota : Tecumseh se réserve le droit de modifier les informations contenues dans ce document sans préavis.**

**Note : Tecumseh reserves the right to change information contained in this document without notification.**



**Tecumseh**

<b>TAGT4561ZHR-TZ</b>	<b>Tension TZ : 400V 3~ 50Hz / 440V 3~ 60 Hz</b>
-----------------------	--

Les performances sont données dans les <b>conditions EN13215</b> :	Gaz aspirés :	20.0 °C
Condition Dew	Sous refroidissement :	3.0 K
The performance data are in <b>EN13215 conditions</b> :	Return gas :	20.0 °C
Dew Condition	Subcooling :	3.0 K

<b>50 Hz R448A (*)</b>											
											<b>N°6967</b>
5   T ambience	6   T évaporation	(°C)	<b>-25</b>	<b>-20</b>	<b>-15</b>	<b>-10</b>	<b>-5</b>	<b>0</b>	<b>5</b>	<b>10</b>	<b>15</b>
<b>25</b>	1   P frigorifique	(Watt)	3629	4910	6393	8076	9952	12005	14216	16562	19020
	2   P absorbée	(W)	2546	2918	3307	3723	4177	4676	5232	5853	6548
	3   I absorbée	(A)	6.39	6.81	7.29	7.83	8.45	9.14	9.92	10.8	11.8
	4   Tc	(°C)	26.0	27.7	29.6	31.8	34.2	36.8	39.6	42.7	45.9
<b>32</b>	1   P frigorifique	(Watt)		4193	5564	7104	8812	10680	12697	14849	17127
	2   P absorbée	(W)		2934	3362	3813	4296	4821	5399	6038	6749
	3   I absorbée	(A)		6.82	7.34	7.93	8.58	9.32	10.1	11.0	12.1
	4   Tc	(°C)		33.9	35.8	37.9	40.2	42.7	45.4	48.2	51.1
<b>43</b>	1   P frigorifique	(Watt)			4246	5588	7057	8655	10385	12250	
	2   P absorbée	(W)			3351	3877	4426	5010	5637	6318	
	3   I absorbée	(A)			7.36	8.02	8.75	9.56	10.4	11.4	
	4   Tc	(°C)			45.7	47.7	49.8	52.0	54.4	56.9	

<b>50 Hz R449A (*)</b>											
											<b>N°5732</b>
5   T ambience	6   T évaporation	(°C)	<b>-25</b>	<b>-20</b>	<b>-15</b>	<b>-10</b>	<b>-5</b>	<b>0</b>	<b>5</b>	<b>10</b>	<b>15</b>
<b>25</b>	1   P frigorifique	(Watt)	3631	4912	6396	8080	9958	12013	14226	16574	19035
	2   P absorbée	(W)	2546	2918	3307	3723	4177	4676	5232	5853	6548
	3   I absorbée	(A)	6.39	6.81	7.29	7.83	8.45	9.14	9.92	10.8	11.8
	4   Tc	(°C)	26.0	27.7	29.6	31.8	34.2	36.8	39.6	42.6	45.8
<b>32</b>	1   P frigorifique	(Watt)		4195	5566	7108	8817	10687	12705	14859	17139
	2   P absorbée	(W)		2934	3362	3813	4296	4821	5399	6038	6749
	3   I absorbée	(A)		6.82	7.34	7.93	8.58	9.32	10.1	11.0	12.1
	4   Tc	(°C)		34.0	35.8	37.9	40.2	42.7	45.3	48.1	51.1
<b>43</b>	1   P frigorifique	(Watt)			4248	5591	7060	8660	10391	12257	
	2   P absorbée	(W)			3351	3877	4426	5010	5637	6318	
	3   I absorbée	(A)			7.36	8.02	8.75	9.56	10.4	11.4	
	4   Tc	(°C)			45.7	47.7	49.8	52.0	54.4	56.8	

**1 = cooling capacity 2 = power input 3 = current 4 = condensing temperature 5 = ambient temperature 6 = evaporating temperature**

(\*) Veuillez vous référer strictement aux Recommandations d'Utilisation et Bulletins Marketing Tecumseh du fait de la température de reflux élevée pour les applications LBP.

(\*) Due to very high discharge temperature especially on LBP conditions, please strictly refer to Tecumseh Guidelines & Marketing Bulletin when using this refrigerant.

**Nota : Tecumseh se réserve le droit de modifier les informations contenues dans ce document sans préavis.**

**Note : Tecumseh reserves the right to change information contained in this document without notification.**

© 2021 Tecumseh Products Company  
All rights reserved